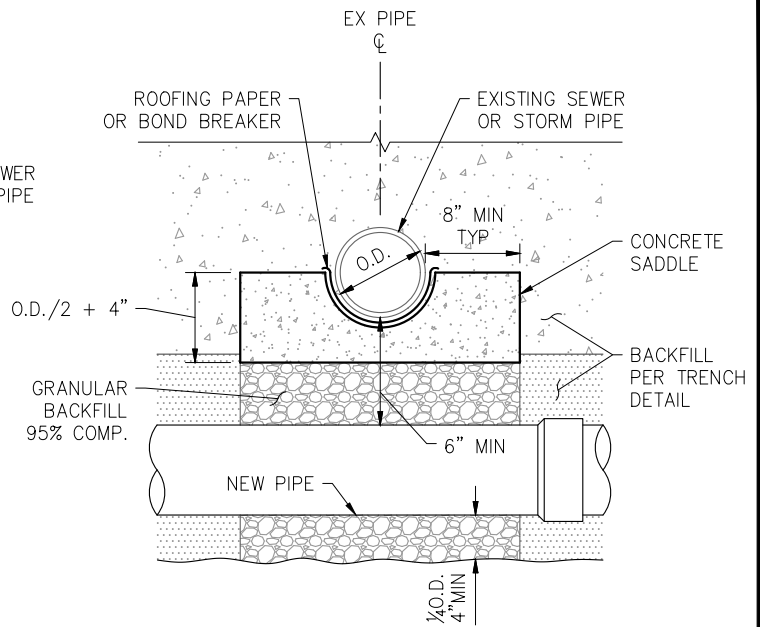
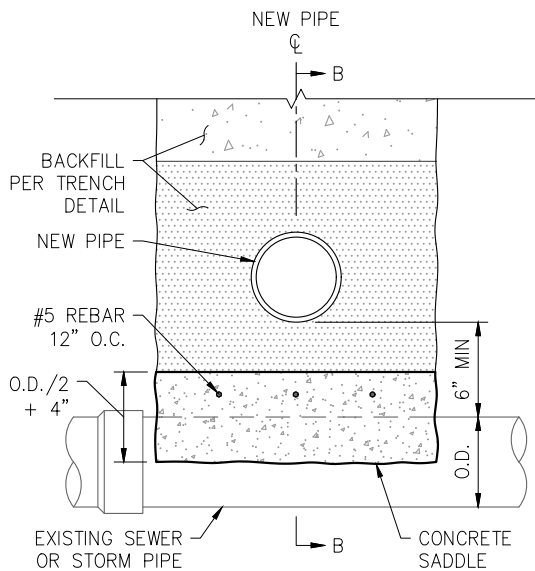


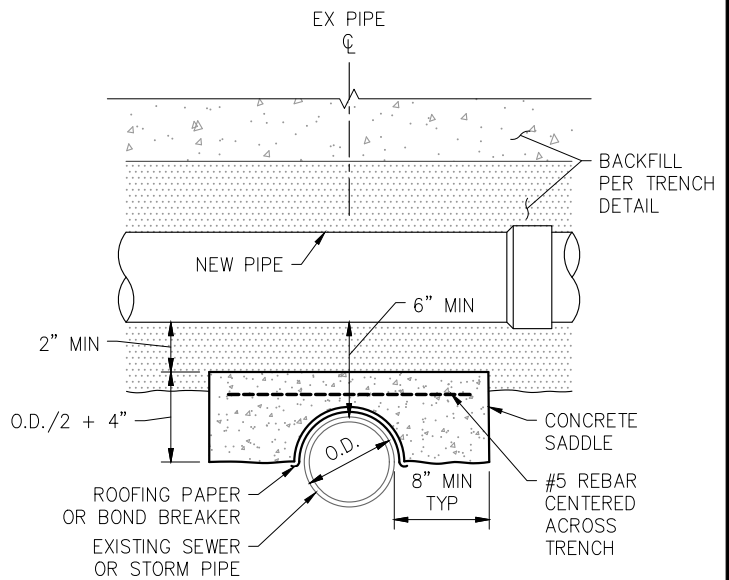
**NEW PIPE UNDER EXISTING PIPE**



**SECTION A-A**



**NEW PIPE OVER EXISTING PIPE**



**SECTION B-B**

**NOTES:**

1. PIPE CROSSINGS WITH VERTICAL CLEARANCE BETWEEN 6" TO 12" SHALL COMPLY WITH THE ABOVE DETAILS. UNDER NO CASE SHALL THE VERTICAL CLEARANCES BETWEEN STORM DRAIN AND SANITARY SEWER PIPES BE LESS THAN 6".
2. FOR SANITARY SEWERS CROSSING WATER MAINS, VERTICAL CLEARANCE AND CROSSING DETAIL SHALL COMPLY WITH CALIFORNIA WATER SERVICE OR WESTBOROUGH WATER DISTRICT AS APPLICABLE.