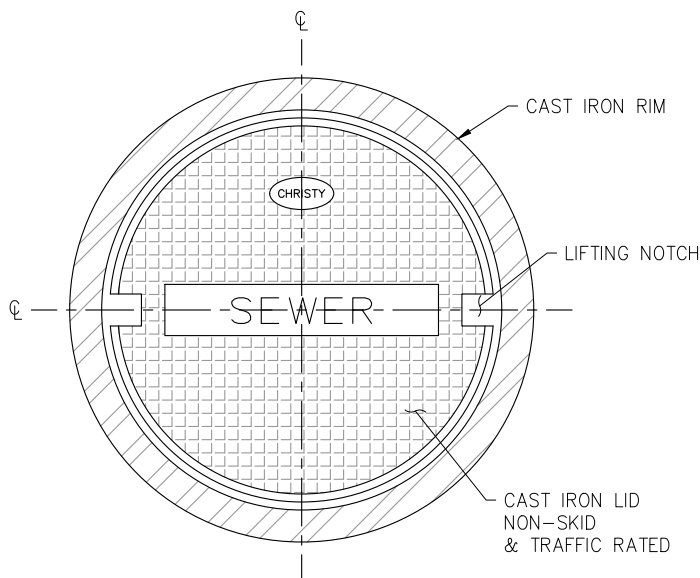
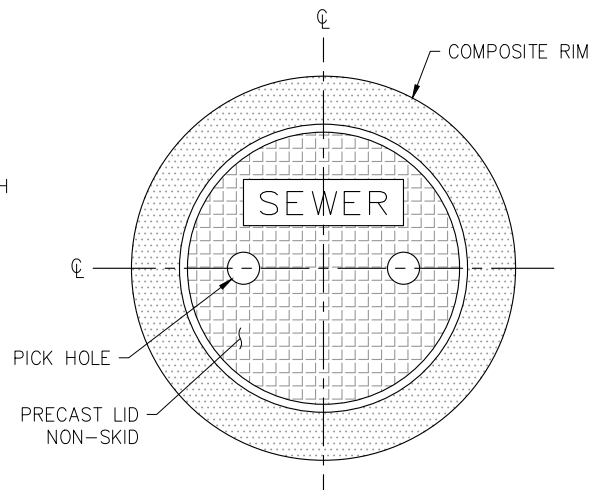


CLEANOUT PROFILE



**PRECAST G05 BOX
(TRAFFIC RATED)**



**PRECAST F08 BOX
(NON-TRAFFIC)**

NOTES:

1. CLEANOUT VAULT BOX SHALL BE CHRISTY F08 FOR SIDEWALKS OR LANDSCAPE AND CHRISTY G05 FOR DRIVEWAYS, STREETS, LANES, OR DRIVE AISLES.
2. INSTALL CLEANOUT CENTERED IN THE SIDEWALK PANEL CLOSEST TO THE CURB OR, PER SSF MUNI CODE 14.14.040A, WITHIN 2.5' OF THE SEWER MAIN.
3. COUPLINGS SHALL BE :
 PVC: COMPRESSION JOINT / GASKETED BELL & SPIGOT JOINTS
 HDPE: FUSED JOINTS
4. CLEANOUT AND RISER SIZE SHALL MATCH THE LATERAL SIZE.
5. CLEANOUT LIDS SHALL HAVE "SEWER" MARKINGS FROM MANUFACTURER.