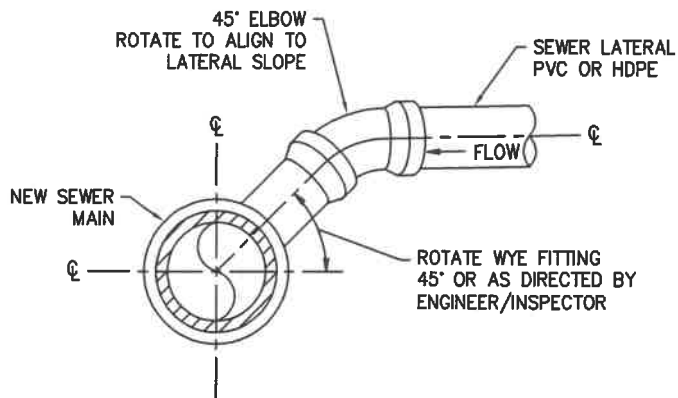


LATERAL CONNECTION PLAN



SECTION A-A

NOTES:

1. MANUFACTURED WYE FITTINGS SHALL HAVE PLAIN ENDS.
2. HDPE LATERAL TO HDPE MAIN SHALL BE FUSED.
3. IF THE CITY SEWER MAIN IS LOCATED WITHIN A PROPERTY EASEMENT, THEN THE BUILDING CODE'S MATERIAL SPECIFICATIONS FOR THE SEWER LATERAL MAY BE USED UPON THE APPROVAL BY THE PW INSPECTOR.



**SANITARY SEWER LATERAL
TO NEW MAIN**

DEC 2020

S-3