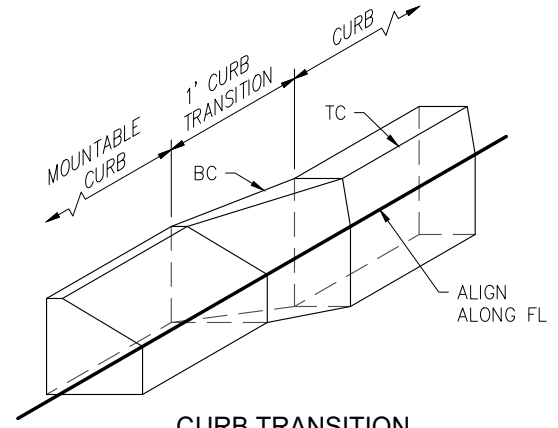
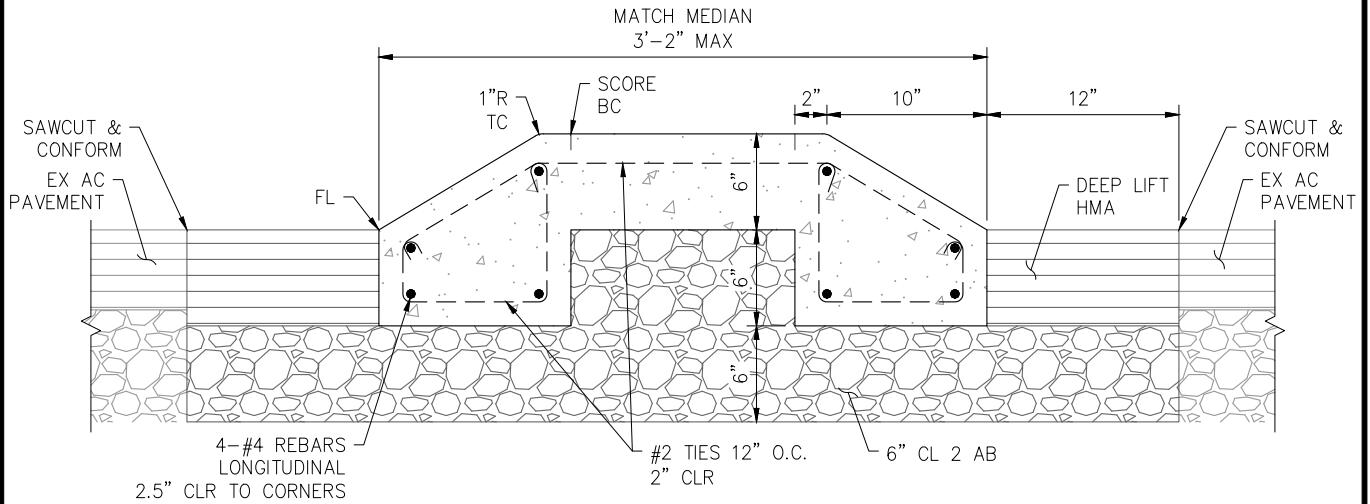


**MOUNTABLE MEDIAN
PLAN**



CURB TRANSITION



**MOUNTABLE MEDIAN
SECTION A-A**

MOUNTABLE MEDIAN NOTES:

1. MOUNTABLE MEDIAN SHALL ONLY BE INSTALLED WHERE DIRECTED BY THE CITY ENGINEER AND USED ON MEDIANS 2'-3' WIDE WHERE VEHICULAR TRAFFIC IS EXPECTED TO CROSS OVER (INTERSECTIONS AND DRIVEWAYS).
2. MOUNTABLE MEDIAN SHALL MATCH THE WIDTH OF THE MEDIAN CONNECTING TO IT.
3. EXPANSION JOINT SHALL BE PLACED BETWEEN MOUNTABLE MEDIAN AND THE STANDARD MEDIAN 1/2"x12" SLIP DOWELS (CENTER BETWEEN CONTROL JOINTS).