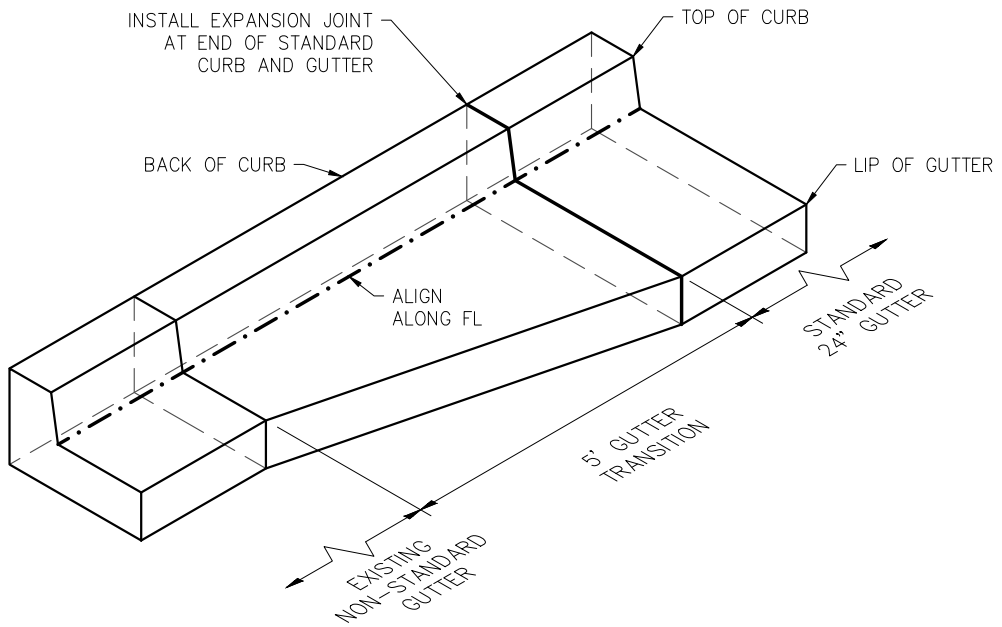


VERTICAL TO ROLLED CURB TRANSITION



GUTTER WIDTH CONFORM TRANSITION