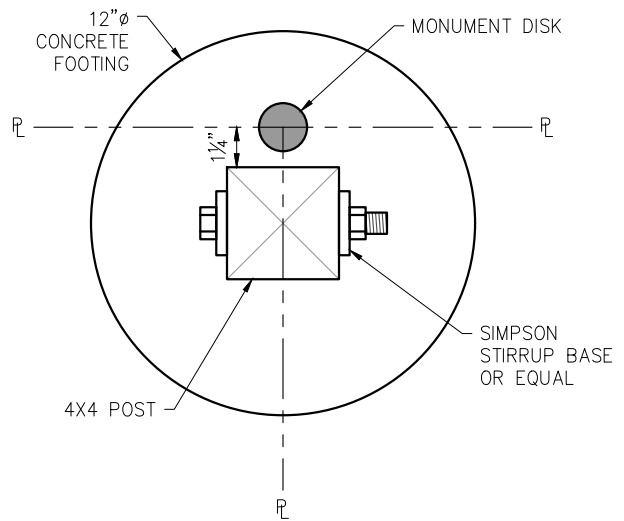


TYPICAL WOOD FENCE POST



REAR PROPERTY CORNER MONUMENT

NOTES:

1. DEEPER FOOTING MAY BE REQUIRED BY CITY.