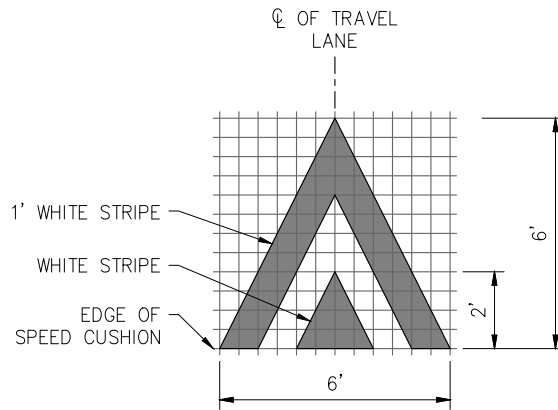
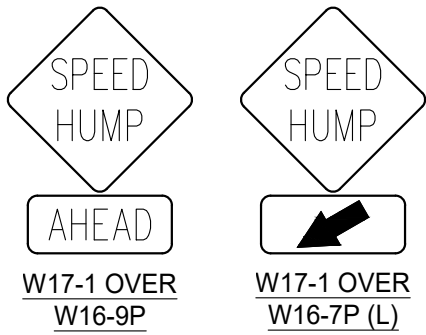
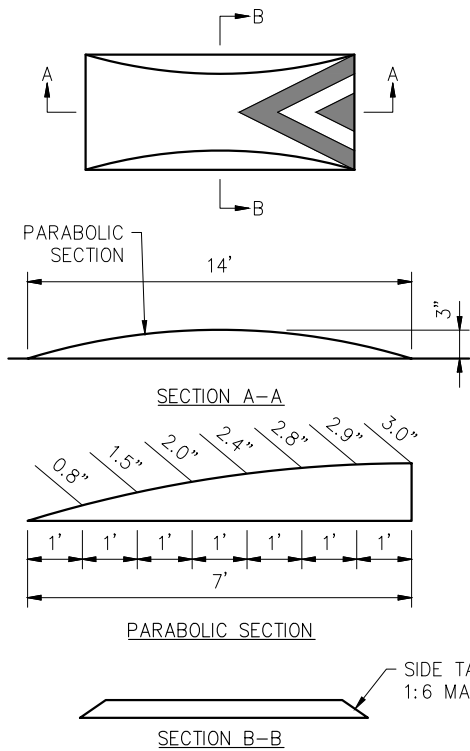


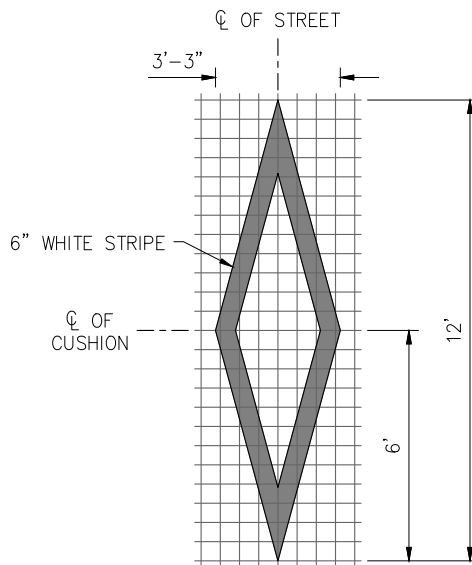
ADVANCED SPEED CUSHION WARNING



SPEED CUSHION CHEVRON
A = 12 SF



SPEED CUSHION



DIAMOND SYMBOL
A = 10.5 SF

NOTES:

1. ALL STRIPING SHALL BE WHITE THERMOPLASTIC PAINT WITH GLASS BEADING.