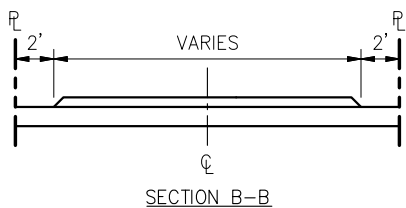
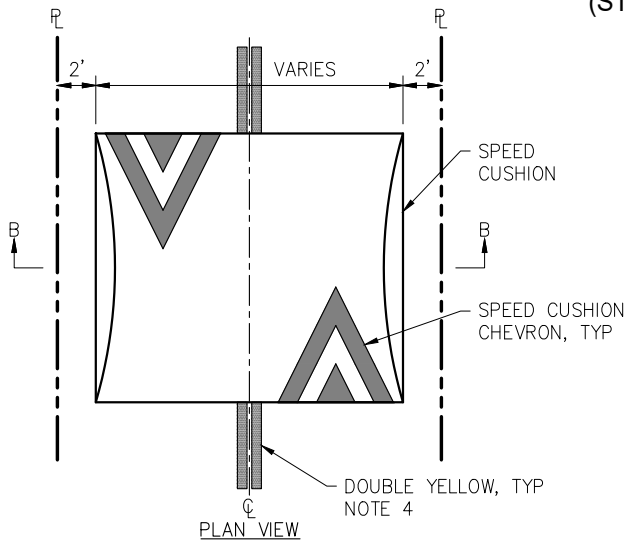


**SPEED CUSHIONS
(STANDARD ROW)**



**SPEED CUSHIONS
(LIMITED ROW)**

NOTES:

1. ALL STRIPING SHALL BE WHITE THERMOPLASTIC PAINT WITH GLASS BEADING.
2. SPEED CUSHIONS SHALL EXTEND TO THE LIP OF GUTTER OR 2-FT FROM EDGE OF PAVEMENT WHERE NO GUTTER EXISTS.
3. SPEED CUSHION CHEVRON SHALL BE INSTALLED ON THE SIDE FACING THE FLOW OF TRAFFIC AND CENTERED ON THE TRAVEL LANE.
4. FOR ROADS WITH TWO-WAY TRAFFIC, A DOUBLE YELLOW CENTERLINE (CALTRANS DETAIL 21) SHALL BE PAINTED 75-FT IN ADVANCE OF THE SPEED CUSHIONS TO THE EDGE OF THE SPEED CUSHIONS, ON BOTH SIDES OF THE SPEED CUSHION.
5. SIGNAGE SHALL BE INSTALLED FOR ALL SPEED CUSHIONS PER DETAIL R-12B.
6. ADVANCED SPEED CUSHION WARNING STRIPING SHALL BE INSTALLED AT THE DIRECTION OF THE CITY ENGINEER, PER DETAIL R-12B.