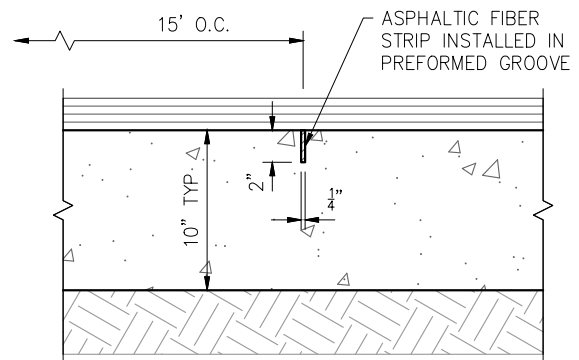


CONSTRUCTION JOINT



CONTROL JOINT

NOTES:

1. LONGITUDINAL TRENCHES SHALL RESTORE SURFACE AC FROM EDGE OF ROW TO CENTERLINE FOR ANY SIDE OF THE ROAD AFFECTED. FOR TRENCHES CROSSING THE CENTERLINE, ENTIRE WIDTH OF ROAD SHALL HAVE NEW SURFACE AC.
2. ALL CONCRETE SHALL BE CLASS A 6-SACK PER CALTRANS STANDARDS.