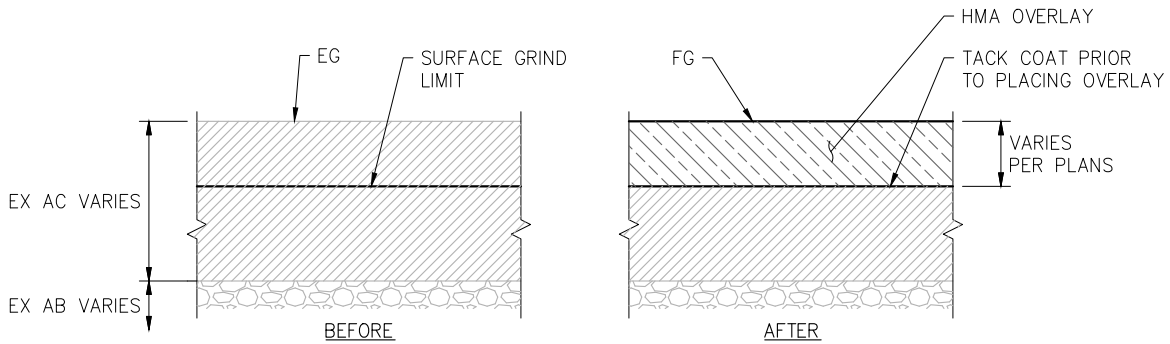


SURFACE RECONSTRUCT (REMOVE AC/AB, PLACE HMA)



GRIND AND OVERLAY

PAVEMENT RESTORATION & REPAIR NOTES:

1. APPROXIMATE BASE REPAIR DIMENSIONS SHALL BE NOTED ON PLANS. LOCATIONS AND SIZES OF BASE REPAIRS SHALL BE MARKED IN THE FIELD BY THE CONTRACTOR AND PUBLIC WORKS INSPECTOR DURING A FIELD VISIT PRIOR TO PERFORMING THE REPAIR.
2. TACK COAT SHALL BE APPLIED TO ALL PAVEMENT SURFACES PRIOR TO PLACEMENT OF EACH LIFT OF HOT MIX ASPHALT.
3. HOT MIX ASPHALT SHALL BE PLACED IN 2" MINIMUM AND 3" MAXIMUM LIFTS.
4. ALL FINISHED EDGES SHALL BE SEALED.
5. OVER-EXCAVATE 6" IF UNSUITABLE BASE MATERIAL IS ENCOUNTERED. REPLACE UNSUITABLE MATERIAL AND COMPACT TO 95% RELATIVE COMPACTION.