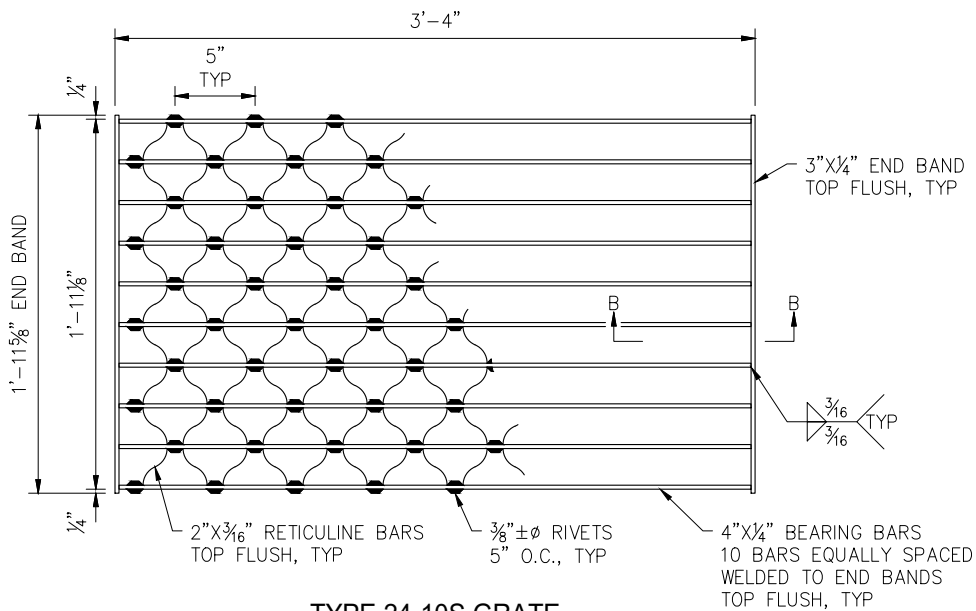
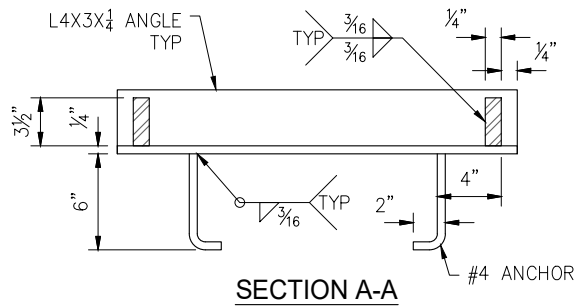


**INLET FRAME**



**TYPE 24-10S GRATE  
BIKE SAFE**

