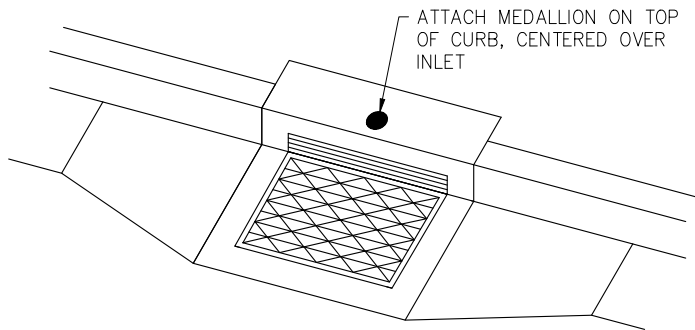




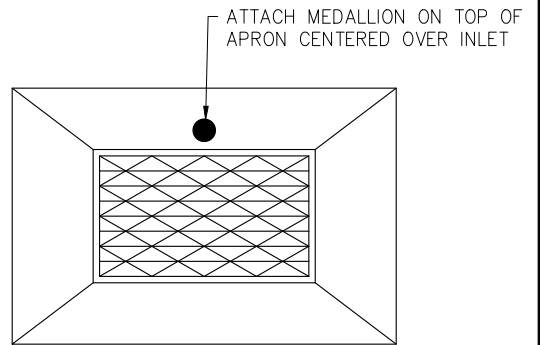
**INLET MARKER (MEDALLION)**

**NOTES:**

1. MEDALLION IS ANODIZED ALUMINUM (COLORED BLUE AND SILVER) AND FURNISHED BY CITY PUBLIC WORKS.
2. MEDALLION IS TO BE ATTACHED TO INLETS USING EPOXY CEMENT.



**CATCH BASIN LOCATION**



**DROP INLET LOCATION**